

KMEW

Quality Distributed By



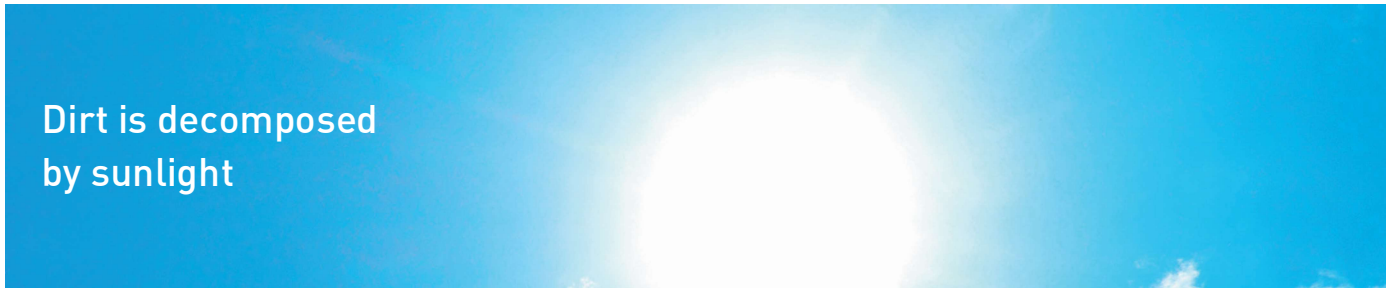
Wall

2024 | 02 |



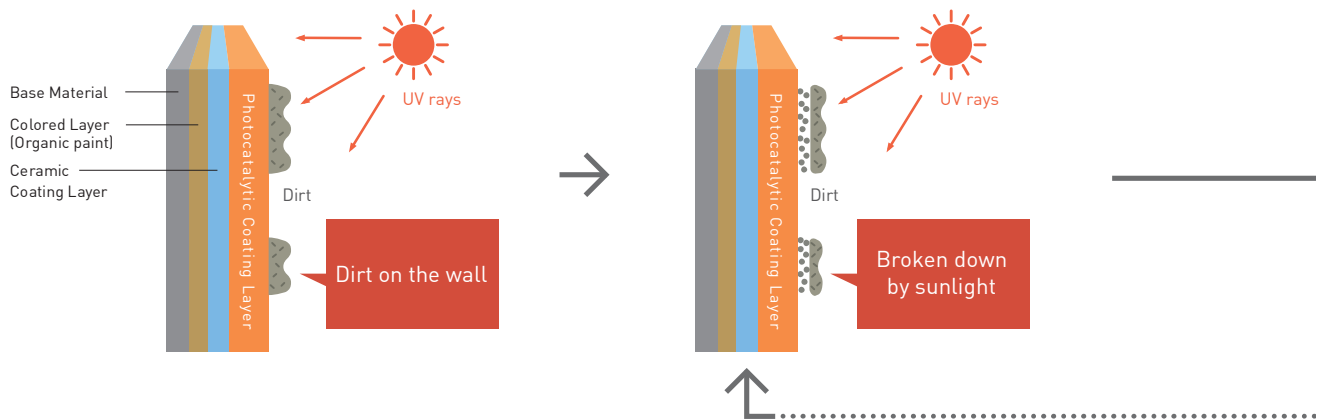
Products

Legerair / FLAT DESIGN PANEL / Neorock Photocatalytic Ceramic Coating /
Filltect Photocatalytic Ceramic Coating / Excellage Photocatalytic Ceramic Coating



Decomposition Power

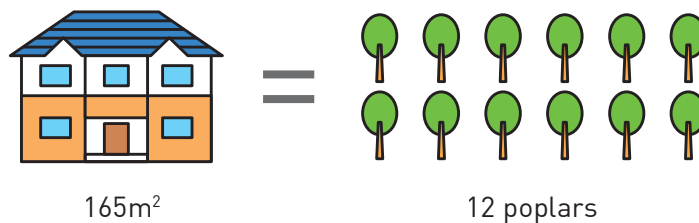
Dirt is decomposed by the sun (Ultraviolet Rays), weakening adhesion.



Air-purifying Function

Photocatalytic coat decomposes pollutants in the air and exhaust gas (NOx and SOx) into clean air .

The air purification capability of Photocatalytic coat of 165m² is worth 12 poplars.

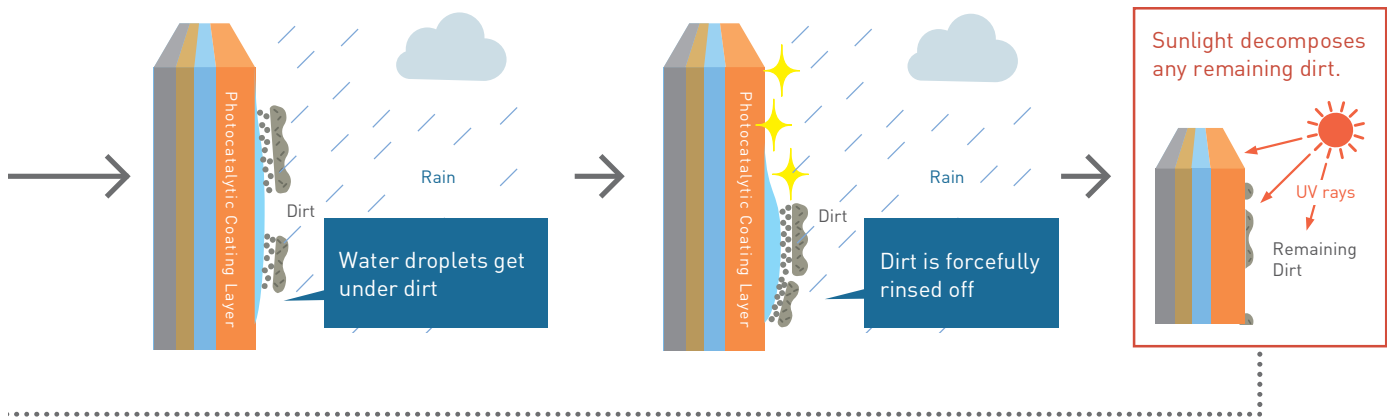


*Assuming a poplar tree's air purifying capability (NO2) is 0.57g / day

Compatibility with water allows for easy cleaning.

Super Hydrophilic Property

Due to the extreme compatibility with water, rainwater rinses off dirt.



The ceramic coating layer offers strong protection against fading and sunburning

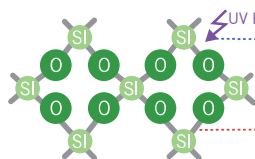
Super Weather Resistance

The double effects of the inorganic resin and the inorganic UV absorber protects against over time and cuts UV rays.

Point 1: Inorganic resin

The main framework is 100% inorganic with bonds that are strengthened by UV energy to prevent deterioration over time.

■ Molecular structure diagram



Bonds are not easily broken

Molecular Bonds

413 KJ / mol
Kilo Jules per mole

443KJ / mol

Increased strength from UV energy to prevent bonds from being easily broken

Point 2: Inorganic UV absorber

The inorganic construction helps prevent deterioration and is able to cut UV rays.



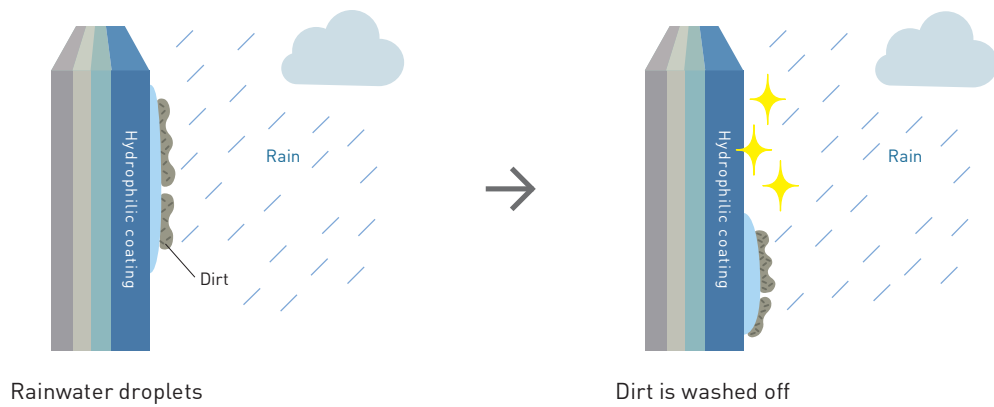
Products

Neorock Hydrophilic coating / Excellage Hydrophilic coating
Filltect Hydrophilic coating / Ceradir Hydrophilic coating



Compatibility with water allows for easy cleaning.

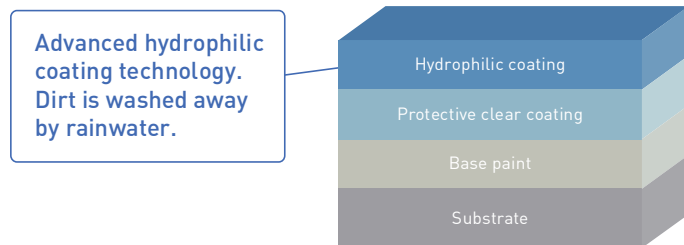
Washed away by rainwater. Water gets on the dirt and washes the dirt away



Advanced hydrophilic coating technology helps wash away dirt accumulated on the panel with rainwater. After panel being cleaned with rainwater from dirt, moisture remains on the hydrophilic surface. The color coating is strongly protected from moisture.

Hydrophilic

The panel structure is formed from the substrate, base paint protective clear coating and hydrophilic coating.





Neorock Hydrophilic 16

New Layer Relief
 New Ridge Wave
 New slim stone
 Chic Border
 Natural Brick
 Drawer Tile
 Sephiro Wood
 Dilectone
 Ahmar Wood
 Cast Stripe
 Modern Slit
 Knitty
 Fiotto
 Strahl

■ Performance List

item	unit	Neorock Hydrophilic 16	note
		16mm thickness	
specific gravity	—	1.0*	Drying at 105°C for 24 hours
Water content	%	20 or under	JISA5422
Water absorption rate	%	50 or under	Water absorption 24h→105°C 24h
Bending Failure Load	N	785 or over	JISA5422
Impact resistance	—	Passed	JISA5422

*These are our measured values.

New Layer Relief

Coating performance	Weather resistance	Installation
Hydrophilic Self-cleaning	Weather resistance grade ★	Installation Horizontal



NW3852A



NW3856A



NW3857A

Specifications

Size	16×455(exposed width)×3030mm
Price	8,200 JPY /piece 5,950JPY/m ²
Number of panel per package	2pieces
Coverage	1.38m ² /piece
Weight	Approx. 20kg/piece

Outside corner



Accessories list

Genuine accessories are required to install siding panels

Panel	Accessories	Outside corner l=455	Caulking [Holder set: B80E]	Repair Paint
NW3852A		NWD3852A	B8430408	B93HB1433AA
NW3856A		NWD3856A	B84302417B	B93HB2716BA
NW3857A		NWD3857A	B8430495	B93HB1620BA
Price		3,600 JPY /piece	6,000 JPY /piece	2,600 JPY /bottle
Number of panel per package		10 pieces/box (Ordering Unit 1piece)	10 pieces/box ^{*1} (Ordering Unit 1piece) Caulking(600ml)10pieces, Primer,brush, nozzle2pieces <small>*Holder set are sold separately</small>	60g/bottle

*1 The dedicated primer (part number B85AA or B85BB) will be shipped at the same time.

New Ridge Wave

Coating performance	Weather resistance	Installation
Hydrophilic Self-cleaning	Weather resistance grade ★	Installation Horizontal



NW4531K



NW4532K



NW4534K

Specifications

Size	16×455(exposed width)×3030mm
Price	8,200 JPY /piece 5,950 JPY/m ²
Number of panel per package	2 pieces
Coverage	1.38m ² /piece
Weight	Approx. 21kg/piece

Outside corner



Accessories list

Genuine accessories are required to install siding panels

Panel	Outside corner l=455	Caulking (Holder set: B80E)	Repair Paint	
NW4531K	NWD4531K	B8430428	B93HB3160CNK(Light color)	B93HB3264ANK(Dark color)
NW4532K	NWD4532K	B84301716	B93HB3168BNK(Light color)	B93HB3265ANK(Dark color)
NW4534K	NWD4534K	B84302910A	B93HB3181ANK(Light color)	B93HB3267ANK(Dark color)
Price	3,600 JPY/piece	6,000 JPY/piece	2,600 JPY/bottle	
Number of panel per package	10 pieces/box (Ordering Unit 1 piece)	10 pieces/box*1 (Ordering Unit 1 piece) Caulking(600ml)10pieces, Primer,brush,nozzle2pieces *Holder set are sold separately	60g/bottle	

*1 The dedicated primer (part number B85AA or B85BB) will be shipped at the same time.

New Slim Stone

Coating performance	Weather resistance	Installation
Hydrophilic Self-cleaning	Weather resistance grade ★	Installation Horizontal and Vertical



G NW4691A
J NW4691K



G NW4694A
J NW4694K



G NW4696A
J NW4696K



G NW4697A
J NW4697K



G NW4698A
J NW4698K



G NW4699A
J NW4699K

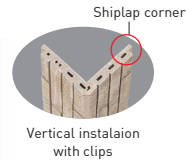
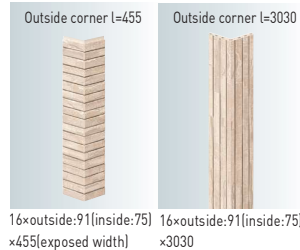


G NW46910A
J NW46910K

Specifications

Size	16×455(exposed width)×3030mm
Price	8,200 JPY/piece 5,950JPY/m ²
Number of panel per package	2pieces
Coverage	1.38m ² /piece
Weight	Approx. 21kg/piece

Outside corner



Accessories list

Genuine accessories are required to install siding panels

Accessories	Outside corner l=455	Outside corner l=3030	Through Wall Flashing l=3030	Caulking (Holder set: B80E)	Repair Paint		
Panel							
G	NW4691A	NWD4691A	NWP4691A	B2241W2	B84301944	B93HB2531BA	—
	NW4694A	NWD4694A	NWP4694A	B2241550	B84301935A	B93HB2533AA(Light color)	B93HB2535AA(Dark color)
	NW4696A	NWD4696A	NWP4696A	B2241W4	B84301937	B93HB1623AA(Dark color)	B93HB2666AA(Light color)
	NW4697A	NWD4697A	NWP4697A	B2241427	B84302970	B93HB2620AA	—
	NW4698A	NWD4698A	NWP4698A	B2241459	B84302837	B93HB2616AA	—
	NW4699A	NWD4699A	NWP4699A	B22413114	B84303840	B93HB2716CA(Dark color)	B93HB3220AA(Light color)
J	NW46910A	NWD46910A	NWP46910A	B2241W3	B84303841	B93HB2533BA	—
	NW4691K	NWD4691K	NWP4691K	B2241W2	B84301944	B93HB3160BNK	—
	NW4694K	NWD4694K	NWP4694K	B2241550	B84301935A	B93HB3183ANK(Light color)	B93HB3187ANK(Dark color)
	NW4696K	NWD4696K	NWP4696K	B2241W4	B84301937	B93HB3185ANK(Dark color)	B93HB3189ANK(Light color)
	NW4697K	NWD4697K	NWP4697K	B2241427	B84302970	B93HB3161ANK	—
	NW4698K	NWD4698K	NWP4698K	B2241459	B84302837	B93HB3163ANK	—
NW4699K	NWD4699K	NWP4699K	B22413114	B84303840	B93HB3235ANK(Dark color)	B93HB3238ANK(Light color)	
NW46910K	NWD46910K	NWP46910K	B2241W3	B84303841	B93HB3183BNK	—	
Price	3,600 JPY/piece	16,000 JPY/piece	2,900 JPY/piece	6,000 JPY/piece	2,600 JPY/bottle		
Number of panel per package	10 pieces/box (Ordering Unit 1piece)	1piece	5 pieces/box	10 pieces/box ^{*)} (Ordering Unit 1piece) Caulking(600ml)10pieces, Primer,brush,nozzle2pieces <small>*Holder set are sold separately</small>	60g/bottle		

*1 The dedicated primer (part number B85AA or B85BB) will be shipped at the same time.

Chic Border

Coating performance	Weather resistance	Installation
Hydrophilic Self-cleaning	Weather resistance grade ★	Installation Horizontal



NW3841K



NW3842K



NW3843K



NW3844K

Specifications

Size	16×455(exposed width)×3030mm
Price	8,200 JPY /piece 5,950 JPY/m ²
Number of panel per package	2pieces
Coverage	1.38m ² /piece
Weight	Approx. 20kg/piece

Outside corner



Accessories list

Genuine accessories are required to install siding panels

Panel	Accessories	Outside corner (l=455)	Caulking (Holder set: B80E)	Repair Paint
NW3841K		NWD3841K	B8430495	B93HB3149ANK
NW3842K		NWD3842K	B8430409	B93HB3147ANK
NW3843K		NWD3843K	B84302414C	B93HB3154BNK
NW3844K		NWD3844K	B8430713A	B93HB3144ANK
Price		3,600 JPY /piece	6,000 JPY /piece	2,600 JPY /bottle
Number of panel per package		10 pieces/box (Ordering Unit 1piece)	10 pieces/box*1 (Ordering Unit 1piece) Caulking(600ml)10pieces, Primer,brush,nozzle2pieces *Holder set are sold separately	60g/bottle

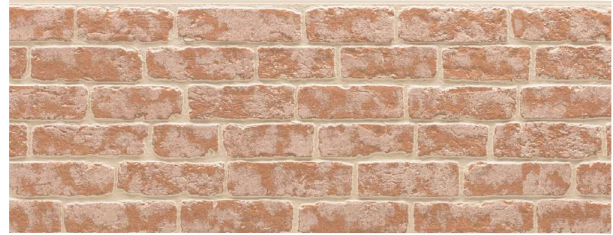
*1 The dedicated primer (part number B85AA or B85BB) will be shipped at the same time.

Natural Brick

Coating performance	Weather resistance	Installation
Hydrophilic Self-cleaning	Weather resistance grade ★	Installation Horizontal



NW3832K



NW3833K



NW3835K



NW3836K

Specifications

Size	16×455(exposed width)×3030mm
Price	8,200 JPY /piece 5,950JPY/m ²
Number of panel per package	2pieces
Coverage	1.38m ² /piece
Weight	Approx. 20kg/piece

Outside corner



Accessories list

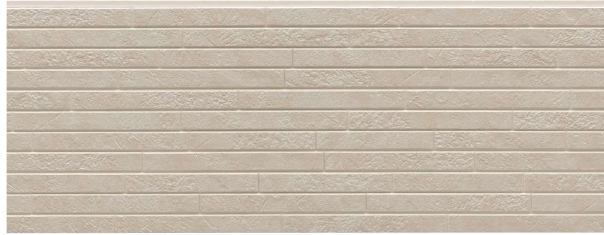
Genuine accessories are required to install siding panels

Panel	Accessories			
	Outside corner L=455	Caulking (Holder set: B80E)	Repair Paint	
NW3832K	NWD3832K	B8430408	B93HB3062ANK(Light color)	B93HB3175ANK(Dark color)
NW3833K	NWD3833K	B8430427	B93HB3163BNK(Dark color)	B93HB3174ANK(Light color)
NW3835K	NWD3835K	B8430401	B93HB3155ANK(Dark color)	B93HB3173ANK(Light color)
NW3836K	NWD3836K	B84302491B	B93HB3164ANK	—
Price	3,600 JPY/piece	6,000 JPY/piece	2,600 JPY/bottle	
Number of panel per package	10 pieces/box (Ordering Unit 1piece)	10 pieces/box*1 (Ordering Unit 1piece) Caulking(600ml)10pieces, Primer,brush,nozzle2pieces	60g/bottle	
		*1 Holder set are sold separately		

*1 The dedicated primer (part number B85AA or B85BB) will be shipped at the same time.

Drawer Tile

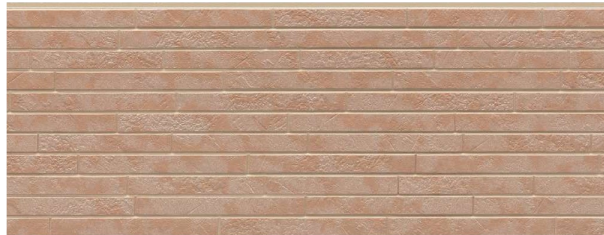
Coating performance	Weather resistance	Installation
Hydrophilic Self-cleaning	Weather resistance grade ★	Installation Horizontal



NW4521A



NW4522A



NW4523A



NW4524A

Specifications

Size	16×455(exposed width)×3030mm
Price	8,200 JPY /piece 5,950JPY/m ²
Number of panel per package	2pieces
Coverage	1.38m ² /piece
Weight	Approx. 21kg/piece

Outside corner



Accessories list

Genuine accessories are required to install siding panels

Panel	Accessories			
	Outside corner l=455	Caulking (Holder set: B80E)	Repair Paint	
NW4521A	NWD4521A	B84302903	B93HB2690BA(Dark color)	B93HB3077AA(Light color)
NW4522A	NWD4522A	B84302904	B93HB2529BA(Dark color)	B93HB3077BA(Light color)
NW4523A	NWD4523A	B84302905	B93HB3068BA(Dark color)	B93HB3078AA(Light color)
NW4524A	NWD4524A	B84302417B	B93HB2417CA(Dark color)	B93HB3079AA(Light color)
Price	3,600 JPY /piece	6,000 JPY /piece	2,600 JPY /bottle	
Number of panel per package	10 pieces/box (Ordering Unit 1piece)	10 pieces/box ^{*1} (Ordering Unit 1piece)	60g/bottle	
		Caulking(600ml)10pieces, Primer,brush, nozzle2pieces ^{*1} Holder set are sold separately		

*1 The dedicated primer (part number B85AA or B85BB) will be shipped at the same time.

Sephiro Wood

Coating performance	Weather resistance	Installation
Hydrophilic Self-cleaning	Weather resistance grade ★	Installation Horizontal and Vertical



NW4051K



NW4053K



NW4054K

Specifications

Size	16×455(exposed width)×3030mm
Price	8,200 JPY /piece 5,950 JPY/m ²
Number of panel per package	2 pieces
Coverage	1.38m ² /piece
Weight	Approx. 20kg/piece

Outside corner

Shiplap corner

Vertical installation with clips

Outside corner l=455 Outside corner l=3030

16×outside:91(inside:75)×455(exposed width) 16×outside:91(inside:75)×3030

Accessories list

Genuine accessories are required to install siding panels

Panel	Outside corner l=455	Outside corner l=3030	Through Wall Flashing l=3030	Caulking (Holder set: B80E)	Repair Paint
NW4051K	NWD4051K	NWP4051K	B2241578	B84302715	B93HB3143BNK
NW4053K	NWD4053K	NWP4053K	B2241476	B84303060	B93HB3155BNK
NW4054K	NWD4054K	NWP4054K	B2241W1	B8430713B	B93HB3182BNK
Price	3,600 JPY /piece	16,000 JPY /piece	2,900 JPY /piece	6,000 JPY /piece	2,600 JPY /bottle
Number of panel per package	10 pieces/box (Ordering Unit 1piece)	1 piece	5 pieces/box	10 pieces/box*1 (Ordering Unit 1piece) Caulking(600ml)10pieces, Primer,brush,nozzle2pieces *Holder set are sold separately	60g/bottle

*1 The dedicated primer (part number B85AA or B85BB) will be shipped at the same time.

Dilectone

Coating performance	Weather resistance	Installation
Hydrophilic Self-cleaning	Weather resistance grade ★	Installation Horizontal



C NW3641A
D NW3641K



C NW3642A
D NW3642K



C NW3643A
D NW3643K



C NW3644A
D NW3644K



C NW3645A
D NW3645K

Specifications

Size	16×455(exposed width)×3030mm
Price	7,800 JPY /piece 5,660 JPY/m ²
Number of panel per package	2 pieces
Coverage	1.38m ² /piece
Weight	Approx. 19kg/piece

Outside corner



Accessories list

Genuine accessories are required to install siding panels

Panel	Accessories	Outside corner l=455	Caulking (Holder set: B80E)	Repair Paint
C	NW3641A	NWD3641A	B84302491	B93HB2531AA
	NW3642A	NWD3642A	B8430557	B93HB2546AA
	NW3643A	NWD3643A	B8430747	B93HB2583AA
	NW3644A	NWD3644A	B8430713A	B93HB2416AA
	NW3645A	NWD3645A	B84303051	B93HB3051AA
D	NW3641K	NWD3641K	B84302491	B93HB3160ANK
	NW3642K	NWD3642K	B8430557	B93HB3156ANK
	NW3643K	NWD3643K	B8430747	B93HB3166ANK
	NW3644K	NWD3644K	B8430713A	B93HB3152ANK
	NW3645K	NWD3645K	B84303051	B93HB3167ANK
Price		3,600 JPY /piece	6,000 JPY /piece	2,600 JPY /bottle
Number of panel per package		10 pieces/box (Ordering Unit 1piece)	10 pieces/box* ¹ (Ordering Unit 1piece) Caulking(600ml)10pieces, Primer,brush,nozzle2pieces *Holder set are sold separately	60g/bottle

*1 The dedicated primer (part number B85AA or B85BB) will be shipped at the same time.

Ahmar Wood

Coating performance	Weather resistance	Installation
Hydrophilic Self-cleaning	Weather resistance grade ★	Installation Horizontal and Vertical



NW4541A



NW4542A



NW4543A

Specifications

Size	16×455(exposed width)×3030mm
Price	7,800JPY /piece 5,660JPY/m ²
Number of panel per package	2pieces
Coverage	1.38m ² /piece
Weight	Approx. 21kg/piece

Outside corner

Shiplap corner

Vertical installation with clips

Outside corner l=455 Outside corner l=3030

16×outside:91(inside:75) ×455(exposed width) 16×outside:91(inside:75) ×3030

Accessories list

Genuine accessories are required to install siding panels

Panel	Outside corner l=455	Outside corner l=3030	Through Wall Flashing l=3030	Caulking (Holder set: B80E)	Repair Paint
NW4541A	NWD4541A	NWP4541A	B2241W2	B84302491	B93HB2531AA
NW4542A	NWD4542A	NWP4542A	B2241476	B84302716	B93HB2716AA
NW4543A	NWD4543A	NWP4543A	B2241W3	B84302417B	B93HB2417AA
Price	3,600JPY /piece	16,000JPY /piece	2,900JPY /piece	6,000JPY /piece	2,600JPY /bottle
Number of panel per package	10 pieces/box (Ordering Unit 1piece)	1piece	5 pieces/box	10 pieces/box*1 (Ordering Unit 1piece) Caulking(600ml)10pieces, Primer,brush,nozzle2pieces *Holder set are sold separately	60g/bottle

*1 The dedicated primer (part number B85AA or B85BB) will be shipped at the same time.

Cast Stripe

Coating performance	Weather resistance	Installation
Hydrophilic Self-cleaning	Weather resistance grade ★	Installation Horizontal and Vertical



NW3121K



NW3124K



NW3126K

Specifications

Size	16×455(exposed width)×3030mm
Price	7,800JPY /piece 5,660JPY/m ²
Number of panel per package	2pieces
Coverage	1.38m ² /piece
Weight	Approx. 20kg/piece

Outside corner

Outside corner l=455 Outside corner l=3030

Shiplap corner
Vertical installation with clips

16×outside:91(inside:75) ×455(exposed width) 16×outside:91(inside:75) ×3030

Accessories list

Genuine accessories are required to install siding panels

Panel	Outside corner l=455	Outside corner l=3030	Through Wall Flashing l=3030	Caulking (Holder set: B80E)	Repair Paint
NW3121K	NWD3121K	NWP3121K	B2241W2	B8430577	B93HB3170ANK
NW3124K	NWD3124K	NWP3124K	B22413114	B8430582	B93HB3150ANK
NW3126K	NWD3126K	NWP3126K	B2241557	B84301615	B93HB3177ANK
Price	3,600JPY /piece	16,000JPY /piece	2,900JPY /piece	6,000JPY /piece	2,600JPY /bottle
Number of panel per package	10 pieces/box (Ordering Unit 1piece)	1piece	5 pieces/box	10 pieces/box* (Ordering Unit 1piece) Caulking(600ml)10pieces, Primer,brush,nozzle2pieces *Holder set are sold separately	60g/bottle

*1 The dedicated primer (part number B85AA or B85BB) will be shipped at the same time.

Modern Slit

Coating performance	Weather resistance	Installation
Hydrophilic Self-cleaning	Weather resistance grade ★	Installation Horizontal and Vertical



NW3981A



NW3985A



NW3987A



NW3989A

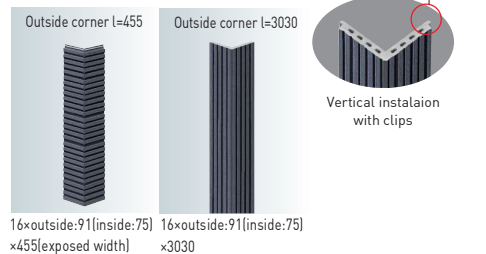


NW39810A

Specifications

Size	16×455(exposed width)×3030mm
Price	7,800JPY /piece 5,660JPY/m ²
Number of panel per package	2pieces
Coverage	1.38m ² /piece
Weight	Approx. 20kg/piece

Outside corner



Accessories list

Genuine accessories are required to install siding panels

Panel	Outside corner l=455	Outside corner l=3030	Through Wall Flashing l=3030	Caulking (Holder set: B80E)	Repair Paint
NW3981A	NWD3981A	NWP3981A	B2241W2	B84302491	B93HB2531AA
NW3985A	NWD3985A	NWP3985A	B2241462	B8430747	B93HB2583AA
NW3987A	NWD3987A	NWP3987A	B2241550	B84302503	B93HB2525BA
NW3989A	NWD3989A	NWP3989A	B22413060	B84302716	B93HB2716AA
NW39810A	NWD39810A	NWP39810A	B2241W3	B8430713A	B93HB2416AA
Price	3,600JPY /piece	16,000JPY /piece	2,900JPY /piece	6,000JPY /piece	2,600JPY /bottle
Number of panel per package	10 pieces/box (Ordering Unit 1piece)	1piece	5 pieces/box	10 pieces/box* ¹ (Ordering Unit 1piece) Caulking(600ml)10pieces, Primer,brush,nozzle2pieces *Holder set are sold separately	60g/bottle

*1 The dedicated primer (part number B85AA or B85BB) will be shipped at the same time.

Knitty

Coating performance	Weather resistance	Installation
Hydrophilic Self-cleaning	Weather resistance grade ★	Installation Horizontal and Vertical



NW4951U



NW4952U



NW4954U

Specifications

Size	16×455(exposed width)×3030mm
Price	7,800JPY /piece 5,660JPY/m ²
Number of panel per package	2pieces
Coverage	1.38m ² /piece
Weight	Approx. 21kg/piece

Outside corner

Shiplap corner

Vertical installation with clips

Outside corner l=455 Outside corner l=3030

16×outside:91(inside:75) ×455(exposed width) 16×outside:91(inside:75) ×3030

Accessories list

Genuine accessories are required to install siding panels

Accessories	Outside corner l=455	Outside corner l=3030	Through Wall Flashing l=3030	Caulking (Holder set: B80E)	Repair Paint
Panel					
NW4951U	NWD4951U	NWP4951U	B2241W2	B84302491B	B93HB2531AU
NW4952U	NWD4952U	NWP4952U	B2241512	B8430746	B93HB1439AU
NW4954U	NWD4954U	NWP4954U	B2241550	B84301653	B93HB2533CU
Price	3,600JPY /piece	16,000JPY /piece	2,900JPY /piece	6,000JPY /piece	2,600JPY /bottle
Number of panel per package	10 pieces/box (Ordering Unit 1piece)	1piece	5 pieces/box	10 pieces/box*1 (Ordering Unit 1piece) Caulking(600ml)10pieces, Primer,brush,nozzle2pieces *Holder set are sold separately	60g/bottle

*1 The dedicated primer (part number B85AA or B85BB) will be shipped at the same time.

Fiotto

Coating performance	Weather resistance	Installation
Hydrophilic Self-cleaning	Weather resistance grade ★	Installation Horizontal and Vertical



E NW3751U
F NW3751K



E NW3752U
F NW3752K



E NW3753U
F NW3753K

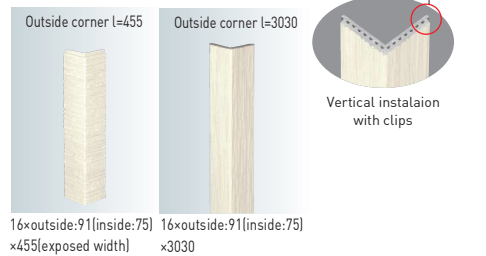


E NW3757U
F NW3757K

Specifications

Size	16×455(exposed width)×3030mm
Price	7,800JPY/piece 5,660JPY/m ²
Number of panel per package	2pieces
Coverage	1.38m ² /piece
Weight	Approx. 21kg/piece

Outside corner



Accessories list

Genuine accessories are required to install siding panels

Accessories		Outside corner l=455	Outside corner l=3030	Through Wall Flashing l=3030	Caulking (Holder set: B80E)	Repair Paint
E	NW3751U	NWD3751U	NWP3751U	B2241W2	B8430577	B93HB2540AU
	NW3752U	NWD3752U	NWP3752U	B2241W2	B8430495	B93HB1438AU
	NW3753U	NWD3753U	NWP3753U	B2241578	B84301616	B93HB1622AU
	NW3757U	NWD3757U	NWP3757U	B2241W3	B8430713A	B93HB2416AU
F	NW3751K	NWD3751K	NWP3751K	B2241W2	B8430577	B93HB3170ANK
	NW3752K	NWD3752K	NWP3752K	B2241W2	B8430495	B93HB3143ANK
	NW3753K	NWD3753K	NWP3753K	B2241578	B84301616	B93HB3171ANK
	NW3757K	NWD3757K	NWP3757K	B2241W3	B8430713A	B93HB3152ANK
Price		3,600JPY/piece	16,000JPY/piece	2,900JPY/piece	6,000JPY/piece	2,600JPY/bottle
Number of panel per package		10 pieces/box (Ordering Unit 1piece)	1piece	5 pieces/box	10 pieces/box*1 (Ordering Unit 1piece) Caulking(600ml)10pieces, Primer,brush,nozzle2pieces *Holder set are sold separately	60g/bottle

*1 The dedicated primer (part number B85AA or B85BB) will be shipped at the same time.

Strahl

Coating performance	Weather resistance	Installation
Hydrophilic Self-cleaning	Weather resistance grade ★	Installation Horizontal



NW4341A



NW4342A



NW4343A



NW4344A



NW4346A



NW4347A



NW4349A

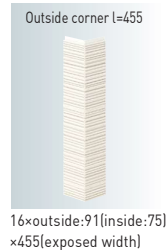


NW43410A

Specifications

Size	16×455(exposed width)×3030mm
Price	7,800JPY /piece 5,660JPY/m ²
Number of panel per package	2pieces
Coverage	1.38m ² /piece
Weight	Approx. 21kg/piece

Outside corner



Accessories list

Genuine accessories are required to install siding panels

Panel	Accessories	Outside corner l=455	Caulking [Holder set: B80E]	Repair Paint
NW4341A		NWD4341A	B84302491	B93HB2531AA
NW4342A		NWD4342A	B8430495	B93HB1438AA
NW4343A		NWD4343A	B8430746	B93HB1439CA
NW4344A		NWD4344A	B84302503	B93HB2525BA
NW4346A		NWD4346A	B8430747	B93HB2583AA
NW4347A		NWD4347A	B84303051	B93HB3051AA
NW4349A		NWD4349A	B84302715	B93HB2715BA
NW43410A		NWD43410A	B8430582	B93HB2528AA
Price		3,600JPY /piece	6,000JPY /piece	2,600JPY /bottle
Number of panel per package		10 pieces/box (Ordering Unit 1piece)	10 pieces/box ^{*1} (Ordering Unit 1piece) Caulking(600ml)10pieces, Primer,brush,nozzle2pieces <small>*Holder set are sold separately</small>	60g/bottle

*1 The dedicated primer (part number B85AA or B85BB) will be shipped at the same time.

Horizontal Application (for 5mm panel clip)

Products

Filltect

Neorock

Excellage

Ceradier

Clip[5mm]				
	Panel Clip		Corner Clip	Starter bar for horizontal application
Shape				
Item number	B1005	B1305	B10053	B101052
Price	9,700JPY/bag		5,800JPY/bag	1,950JPY/piece
Number of panel per package	70 pieces/bag		50 pieces/bag	4 pieces/box
Material	Hot-dip zinc-aluminum magnesium alloy coated steel		Hot-dip zinc-aluminum magnesium alloy coated steel	Hot-dip zinc-aluminum magnesium alloy coated steel

Clip Fixing Component					
	Clip Screw25 (for wood substructure)	Clip Screw35 (for wood substructure)	Clip Screw19 (for steel substructure)	Clip Screw16 (for steel substructure)	Clip Screw30 (for steel substructure)
Shape					
Item number	RY8830	B881135	RY8840	B885116	B885130
Price	9,500JPY/box	9,500JPY/box	12,400JPY/box	13,700JPY/box	17,300JPY/box
Number of panel per package	500 pieces/box	500 pieces/box	500 pieces/box	500 pieces/box	500 pieces/box
Material	Stainless Steel	Stainless Steel	Stainless Steel	Stainless Steel	Stainless Steel

Spacer			Flashing	
	Spacer5 (for openings and eaves)	Spacer2 (for land adjustment)	Internal Flashing	Sill Flashing50
Shape				
Item number	RY82505	RY82502	RCILK	
Price	19,700JPY/box	16,400JPY/box	1,270JPY/piece	2,900JPY/piece
Number of panel per package	20 pieces/box	20 pieces/box	20 pieces/box	5 pieces/box
Material	Polypropylene	Polypropylene	Coated galvanized steel	Coated galvanized steel

Soffit Flashing						
	For 21mm thickness		For 18mm thickness		For 16/15mm thickness	
Shape						
Price	3,000JPY/piece		2,700JPY/piece		2,600JPY/piece	
Number of panel per package	5 pieces/box		5 pieces/box		5 pieces/box	
Material	Coated galvanized steel		Coated galvanized steel		Coated galvanized steel	

Face Nail				
Face Nail50(for wood substructure) For 21/18mm thickness	Face Nail45(for wood substructure) For 16/15mm thickness	Face Screw50 (for steel substructure)	Face Screw45 (for steel substructure)	Face Screw60 (for steel substructure)
		 Sub Structure thickness :1.6 to 2.3mm	 Sub Structure thickness :1.2mm	 Sub Structure thickness :1.2mm
B8750R400	B8745R400	B88501	B885245	B885260
720JPY/bag	530JPY/bag	8,600JPY/box	14,200JPY/box	11,400JPY/box
40 pieces/bag	40 pieces/bag	200 pieces/box	300 pieces/box	200 pieces/box
Stainless Steel	Stainless Steel	Stainless Steel	Stainless Steel	Stainless Steel

Joint Component			
Metal Caulking Joiner		T-shaped joiner	L-shaped joiner
For 18/16mm thickness	For 18/16mm thickness(one-side)		
		 black B3616F1 white B3616F2 brown B3616F3 dark stainless B3616F4	 black B3616KF1 white B3616KF2 brown B3616KF3 dark stainless B3616KF4
B2721	B2718K		
1,850JPY/piece	1,820JPY/piece	5,900JPY/piece	5,500JPY/piece
15 pieces/box	15 pieces/box	15 pieces/box	15 pieces/box
Hot-dip zinc-aluminum magnesium alloy coated steel	Hot-dip zinc-aluminum magnesium alloy coated steel	Aluminum	Aluminum

Repair Component	Waterproof Component
Repair Putty	Waterproof Sealer
B4901	RM875
3,400JPY/piece	3,300JPY/bottle
1 pieces/350g	1 bottle/100g
Acrylic emulsion	—

Vertical Application (for 5mm panel clip)

Products

Filltect Neorock Excellage Ceradier

Clip[5mm]					
	Panel Clip		Corner Clip	Starter bar for vertical application	Corner cap for starter bar
Shape					
Item number	B1005	B1305	RE10058	B130571	B293W1D
Price	9,700JPY/bag		4,000JPY/bag	5,900JPY/piece	3,500JPY/bag
Number of panel per package	70 pieces/bag		34 pieces/bag	5 pieces/box	10 pieces/bag
Material	Hot-dip zinc-aluminum magnesium alloy coated steel		Hot-dip zinc-aluminum magnesium alloy coated steel	Hot-dip zinc-aluminum magnesium alloy coated steel	Coated galvanized steel

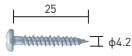
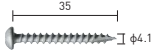
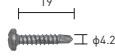
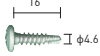
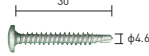
Face Nail					
	Face Nail50(for wood substructure) For 18mm thickness	Face Nail45(for wood substructure) For 16/15mm thickness	Face Screw50 (for steel substructure)	Face Screw45 (for steel substructure)	Face Screw60 (for steel substructure)
Shape					
Item number	B8750R400	B8745R400	B88501	B885245	B885260
Price	720JPY/bag	530JPY/bag	8,600JPY/box	14,200JPY/box	11,400JPY/box
Number of panel per package	40 pieces/bag	40 pieces/bag	200 pieces/box	300 pieces/box	200 pieces/box
Material	Stainless Steel	Stainless Steel	Stainless Steel	Stainless Steel	Stainless Steel

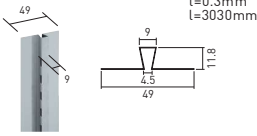
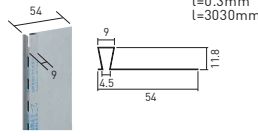
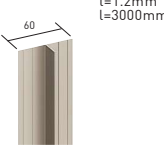
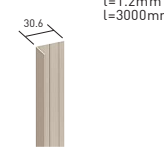
Spacer		
	Spacer5 (for openings and eaves)	Spacer2 (for land adjustment)
Shape		
Item number	RY82S05	RY82S02
Price	19,700JPY/box	16,400JPY/box
Number of panel per package	20 pieces/box	20 pieces/box
Material	Polypropylene	Polypropylene

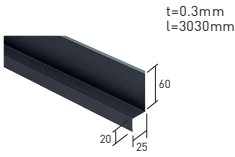
Flashing	
Internal Flashing	Sill Flashing 50
RCILK	black B238W1 white B238W2 brown B238W3 gray(metalic) B238W4
1,270JPY/piece	2,900JPY/piece
20 pieces/box	5 pieces/box
Coated galvanized steel	Coated galvanized steel

Repair Component	
	Repair Putty
Shape	
Item number	B4901
Price	3,400JPY/piece
Number of panel per package	1 pieces/350g
Material	Acrylic emulsion

Waterproof Component	
	Waterproof Sealer
Shape	
Item number	RM875
Price	3,300JPY/bottle
Number of panel per package	1 bottle/100g
Material	—

Clip Fixing Component				
Clip Screw25 (for wood substructure)	Clip Screw35 (for wood substructure)	Clip Screw19 (for steel substructure)	Clip Screw16 (for steel substructure)	Clip Screw30 (for steel substructure)
		 Sub Structure thickness :1.6 to 2.3mm	 Sub Structure thickness :1.2mm	 Sub Structure thickness :1.2mm
RY8830	B881135	RY8840	B885116	B885130
9,500JPY/box	9,500JPY/box	12,400JPY/box	13,700JPY/box	17,300JPY/box
500 pieces/box	500 pieces/box	500 pieces/box	500 pieces/box	500 pieces/box
Stainless Steel	Stainless Steel	Stainless Steel	Stainless Steel	Stainless Steel

Joint Component			
Metal Caulking Joiner		T-shaped joiner	L-shaped joiner
For 18/16mm thickness	For 18/16mm thickness(one-side)		
		 black B3616F1 white B3616F2 brown B3616F3 dark stainless B3616F4	 black B3616KF1 white B3616KF2 brown B3616KF3 dark stainless B3616KF4
B2721	B2718K		
1,850JPY/piece	1,820JPY/piece	5,900JPY/piece	5,500JPY/piece
15 pieces/box	15 pieces/box	15 pieces/box	15 pieces/box
Hot-dip zinc-aluminum magnesium alloy coated steel	Hot-dip zinc-aluminum magnesium alloy coated steel	Aluminum	Aluminum

Through Wall Flashing
For 18/16/15mm thickness

2,900JPY/piece
5 pieces/box
Coated galvanized steel

Horizontal Application (for 15mm panel clip)

Products

Filltect

Neorock

Excellage

Ceradier

Clip(15mm)			
	Panel Clip	Corner Clip	Starter bar for horizontal application
Shape			
Item number	B10115	B101153	B101152
Price	5,300JPY/bag	2,700JPY/bag	3,500JPY/piece
Number of panel per package	30 pieces/bag	20 pieces/bag	4 pieces/box
Material	Hot-dip zinc-aluminum magnesium alloy coated steel	Hot-dip zinc-aluminum magnesium alloy coated steel	Hot-dip zinc-aluminum magnesium alloy coated steel

Clip Fixing Component				
	Clip Screw25 (for wood substructure)	Clip Screw35 (for wood substructure)	Clip Screw55 (for wood substructure)	Clip Screw19 (for steel substructure)
Shape				 Sub Structure thickness :1.6 to 2.3mm
Item number	RY8830	B881135	B88553	RY8840
Price	9,500JPY/box	9,500JPY/box	9,200JPY/box	12,400JPY/box
Number of panel per package	500 pieces/box	500 pieces/box	200 pieces/box	500 pieces/box
Material	Stainless Steel	Stainless Steel	Stainless Steel	Stainless Steel

Face Nail					
	Face Nail65 (for wood substructure)	Face Screw60 (for steel substructure)	Face Screw50 (for steel substructure)	Face Screw45 (for steel substructure)	Face Screw60 (for steel substructure)
	21/For 18/16/15mm thickness	For 21mm thickness	For 18/16/15mm thickness		
Shape		 Sub Structure thickness :1.6 to 2.3mm	 Sub Structure thickness :1.6 to 2.3mm	 Sub Structure thickness :1.2mm	 Sub Structure thickness :1.2mm
Item number	B8765R400	B8860	B88501	B885245	B885260
Price	1,140JPY/bag	13,500JPY/box	8,600JPY/box	14,200JPY/box	11,400JPY/box
Number of panel per package	40 pieces/bag	200 pieces/box	200 pieces/box	300 pieces/box	200 pieces/box
Material	Stainless Steel	Stainless Steel	Stainless Steel	Stainless Steel	Stainless Steel

Flashing		
	Internal Flashing	Sill Flashing 50
Shape		
Item number	RCILK	B238W1 white B238W2 brown B238W3 gray(metalic) B238W4
Price	1,270JPY/piece	2,900JPY/piece
Number of panel per package	20 pieces/box	5 pieces/box
Material	Coated galvanized steel	Coated galvanized steel

Soffit Flashing				
	For 21mm thickness		For 18mm thickness	
Shape				
Item number	black B255W1 white B255W2 brown B255W3 gray(metalic) B255W4	black B254W1 white B254W2 brown B254W3 gray(metalic) B254W4		
Price	3,000JPY/piece	2,700JPY/piece		
Number of panel per package	5 pieces/box	5 pieces/box		
Material	Coated galvanized steel	Coated galvanized steel		

Long clip	
B10155	
3,600JPY/piece	
6 pieces/box	
Hot-dip zinc-aluminum magnesium alloy coated steel	

Clip Screw16 (for steel substructure)	Clip Screw30 (for steel substructure)
<p>Sub Structure thickness :1.2mm</p>	<p>Sub Structure thickness :1.2mm</p>
B885116	B885130
13,700JPY/box	17,300JPY/box
500 pieces/box	500 pieces/box
Stainless Steel	Stainless Steel

Spacer	
Spacer15 (for openings and eaves)	Spacer2 (for land adjustment)
RY82S15	RY82S02
13,800JPY/box	16,400JPY/box
6 pieces/box	20 pieces/box
Polypropylene	Polypropylene

Joint Component	
Metal Caulking Joiner	
For 18/16mm thickness	For 18/16mm thickness(one-side)
B2722	B2719K
3,050JPY/piece	3,180JPY/piece
15 pieces/box	15 pieces/box
Hot-dip zinc-aluminum magnesium alloy coated steel	Hot-dip zinc-aluminum magnesium alloy coated steel

For 16/15mm thickness	
black B253W1 white B253W2 brown B253W3 gray(metalic) B253W4	
2,600JPY/piece	
5 pieces/box	
Coated galvanized steel	

Repair Component
Repair Putty
B4901
3,400JPY/piece
1 pieces/350g
Acrylic emulsion

Waterproof Component
Waterproof Sealer
RM875
3,300JPY/bottle
1 bottle/100g
—

Vertical Application (for 15mm panel clip)

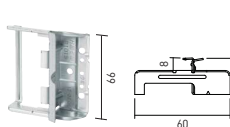
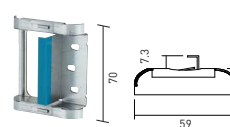
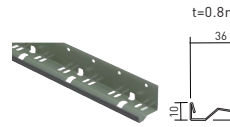
Products

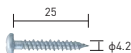
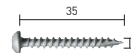
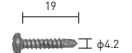
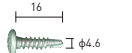
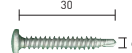
Filltect

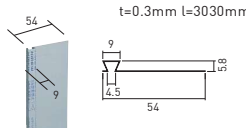
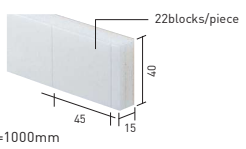
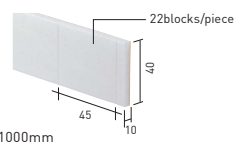
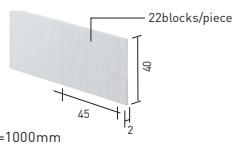
Neorock



Excellage


Ceradier

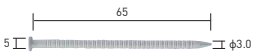
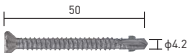
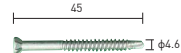
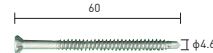
Clip(15mm)			
	Panel Clip	Corner Clip	Starter bar for vertical application
Shape	 t=0.8mm 66, 60, 15, 7.8, 8	 t=0.8mm 70, 59, 7.3, 15	 t=0.8mm L=3030mm 36, 38.6
Item number	B10115	RE10158	B10157HG
Price	5,300JPY /bag	7,700JPY /bag	5,200JPY /piece
Number of panel per package	30 pieces/bag	34 pieces/bag	5 pieces/box
Material	Hot-dip zinc-aluminum magnesium alloy coated steel	Hot-dip zinc-aluminum magnesium alloy coated steel	Hot-dip zinc-aluminum magnesium alloy coated steel

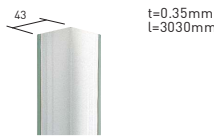
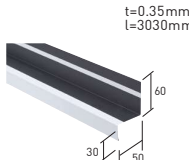
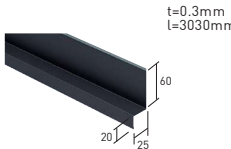
Clip Fixing Component					
	Clip Screw25 (for wood substructure)	Clip Screw35 (for wood substructure)	Clip Screw19 (for steel substructure)	Clip Screw16 (for steel substructure)	Clip Screw30 (for steel substructure)
Shape	 25, φ4.2	 35, φ4.1	 19, φ4.2 Sub Structure thickness :1.6 to 2.3mm	 16, φ4.6 Sub Structure thickness :1.2mm	 30, φ4.6 Sub Structure thickness :1.2mm
Item number	RY8830	B881135	RY8840	B885116	B885130
Price	9,500JPY /box	9,500JPY /box	12,400JPY /box	13,700JPY /box	17,300JPY /box
Number of panel per package	500 pieces/box	500 pieces/box	500 pieces/box	500 pieces/box	500 pieces/box
Material	Stainless Steel	Stainless Steel	Stainless Steel	Stainless Steel	Stainless Steel

	Joint Component	Spacer		
	Metal Caulking Joiner For 18/16mm thickness(one-side)	Spacer15 (for openings and eaves)	Spacer10	Spacer2 (for land adjustment)
Shape	 t=0.3mm l=3030mm 54, 9, 4.5, 15.8	 22blocks/piece l=1000mm 45, 15, 48	 22blocks/piece l=1000mm 45, 10, 48	 22blocks/piece l=1000mm 45, 2, 48
Item number	B2713K	RY82S15	RY82S10	RY82S02
Price	1,430JPY /piece	13,800JPY /box	16,400JPY /box	16,400JPY /box
Number of panel per package	15 pieces/box	6 pieces/box	10 pieces/box	20 pieces/box
Material	Hot-dip zinc-aluminum magnesium alloy coated steel	Polypropylene	Polypropylene	Polypropylene

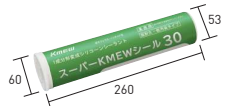



Repair Component		Waterproof Component	
	Repair Putty		Waterproof Sealer
Shape			
Item number	B4901		RM875
Price	3,400JPY /piece		3,300JPY /bottle
Number of panel per package	1 pieces/350g		1 bottle/100g
Material	Acrylic emulsion		—

Corner cap for starter bar	
	
B291W1D	
3,500 JPY/bag	
10 pieces/bag	
Coated galvanized steel	





Face Nail			
Face Nail65(for wood substructure)	Face Screw50(for steel substructure)	Face Screw45 (for steel substructure)	Face Screw60 (for steel substructure)
For 18/16/15mm thickness	For 18/16/15mm thickness	For 18/16/15mm thickness	For 18/16/15mm thickness
	 Sub Structure thickness :1.6 to 2.3mm	 Sub Structure thickness :1.2mm	 Sub Structure thickness :1.2mm
B8765R400	B88501	B885245	B885260
1,140 JPY/bag	8,600 JPY/box	14,200 JPY/box	11,400 JPY/box
40 pieces/bag	200 pieces/box	300 pieces/box	200 pieces/box
Stainless Steel	Stainless Steel	Stainless Steel	Stainless Steel

Flashing		
Internal Flashing	Sill Flashing 50	Through Wall Flashing For 18/16/15mm thickness
	 black B238W1 white B238W2 brown B238W3 gray(metalic) B238W4	
RCILK		
1,270 JPY/piece	2,900 JPY/piece	2,900 JPY/piece
20 pieces/box	5 pieces/box	5 pieces/box
Coated galvanized steel	Coated galvanized steel	Coated galvanized steel

Caulking materials

	Caulking materials	Caulking Gun for Soft Cartridge (Built-in holder)	Caulking Gun for Soft Cartridge (without built-in holder)	Holder Sets
Shape	 600ml	 600ml		
Item number	each color	B80G	B801G	B80E
Price	6,000JPY /piece	21,700JPY /piece	6,000JPY /piece	3,700JPY /set
Number of panel per package	10pieces/box (Ordering Unit 1piece) [Primer,brush,nozzle2pieces]	1piece/box	1piece/bag	1set/bag
	Material : Modified silicone			holder2pieces,nozzle2pieces

The dedicated primer (part number B85AA or B85BB) will be shipped at the same time.
One can of primer is included per quantity of 1-5 caulking.

	Nozzle Sets	Nozzle Attachment for soft cartridge	Long and bent nozzle sets	Bent nozzle sets
Shape				
Item number	B80N	B801A	B804N	B805N
Price	2,200JPY /bag	860JPY /bag	1,130JPY /bag	1,260JPY /bag
Number of panel per package	1set/bag	1set/bag	1set/bag	1set/bag
	nozzle5pieces	attachment1piece	long nozzle1piece bent nozzle1pieces	bent nozzle2pieces

Use with nozzle set (B804N, B805N).

Use with attachment (B801A).



KMEW

Quality Distributed By



KMEW Co.,Ltd.

Head office: 13F, Crystal Tower Bldg.,
1-2-27 Shiromi, Chuo-ku, Osaka, Japan